

REV.	ECN NO.	LOCATIONS	DESCRIPTION	DATE	CHANGER

规格说明: Specifications:

电气特性: Electrical:

1. 额定电流: Current Rating  
1.0A/contact terminal
2. 额定电压: Voltage Rating  
30V DC
3. 接触阻抗: Contact Resistance  
50 milliohms MAX
4. 耐电压: Dielectric Withstanding Voltage:  
300 V AC AT Sea Level
5. 绝缘阻抗: Insulation Resistance:  
100MEGA ohms MIN

物理性能: Mechanical:

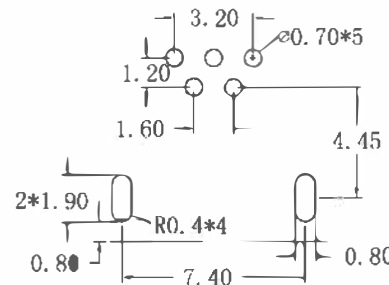
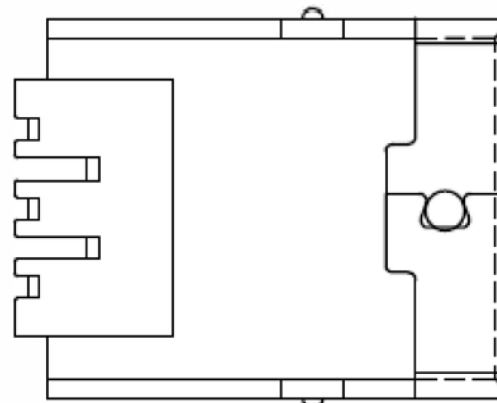
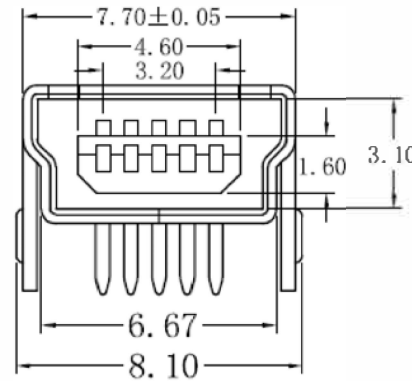
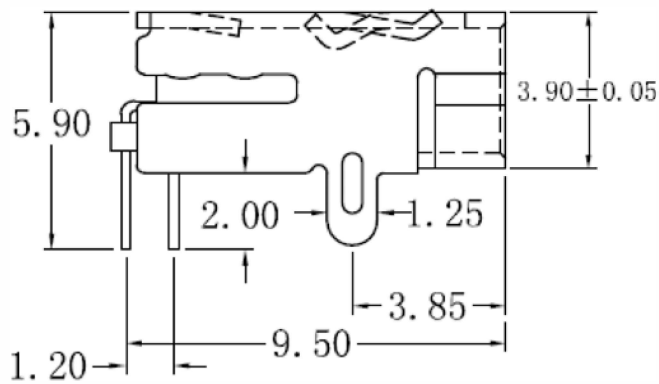
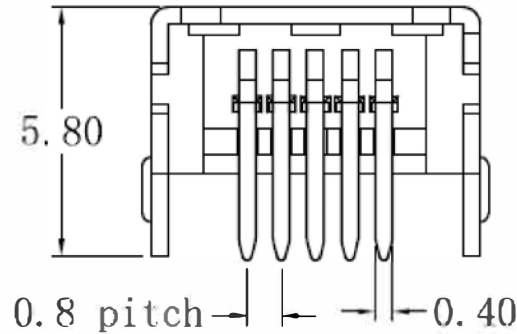
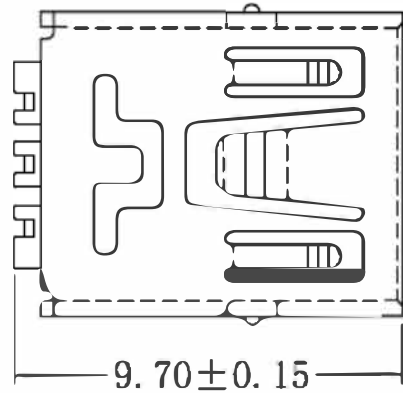
1. 插拔力: Connector Mate and Unmate Force  
Mate force: 3.0kgf (MAX)  
Unmate force: 0.7kgf (MIN)
2. 端子保持力: Terminal Retention  
0.5kgf (MIN)

原材料: Material:

1. 塑胶: Housing:  
Hing Temperature Ternmaplastics,  
UL 94V-0 LCP Black
2. 端子: Contact: Copper Alloy C5191/C2680
3. 外壳: Shell: Copper Alloy C2680

电镀: Finish:

1. 端子: Contact: Plated Gold in Mating Area;  
Tin On Solder Talls
2. 外壳: Shell:  
Nickel Plating



RECOMMENDED PCB LAYOUT

GENERAL TOLERANCE		ALL LINK CONN. TECHNOLOGY CORP.	
X ± 0.40	X* ± 5°	TITLE: MINI USB 5F B TYPE 90D DIP 2 POSTS	
X ± 0.38	X* ± 3°		
XX ± 0.30	XX* ±	PART NO. TMU-02-04-84	
XXX ± 0.15	XXX* ±	DWG NO. 20120713	
CUSTOMER DRAWING		SCALE: 1:1	SHEET: 1 / 1
APPROVED Paul	CHECKED: Paul	DRAWN: sunny	UNIT: mm
		PROJ.	REV. B