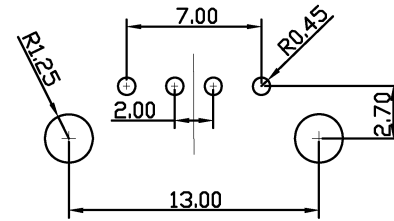
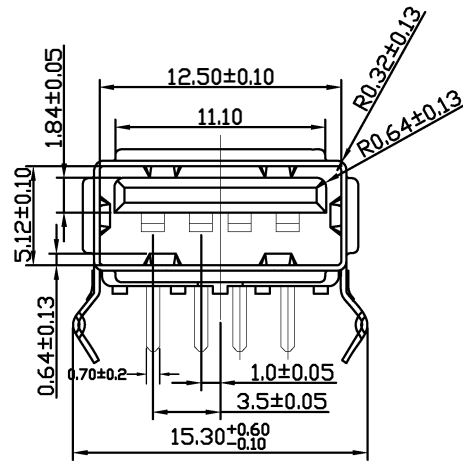
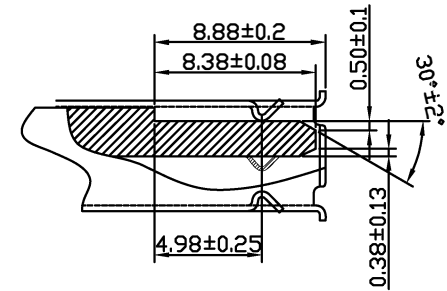
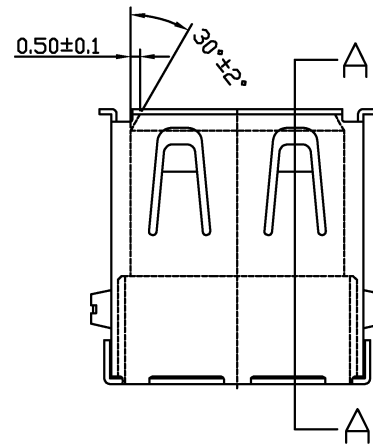
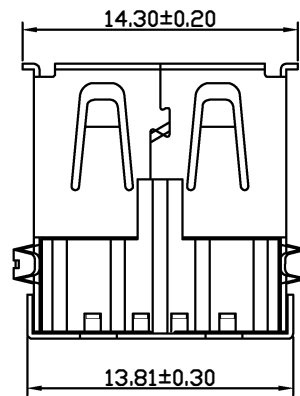
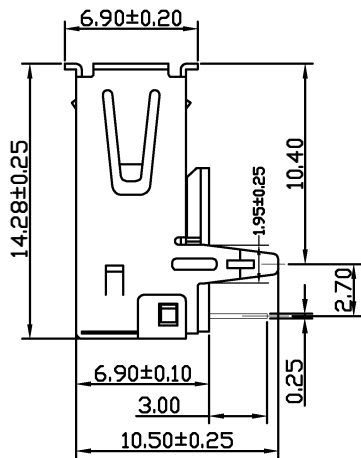


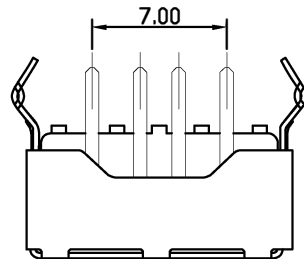
REV.	ECN NO.	LOCATIONS.	DESCRIPTION	DATE	CHANGER



LAYOUT P.C.B



SECTION A-A



NO.	NAME	MATERIAL	FINISH	REMARK	Q' TY
1	HOUSING	P. B. T	White	-1W	1
2	PIN TERM	Brass T:0.25	GOLD/TIN PLATED	Au1u"+Sn80"100u"+Ni50u"	4
3	SHELL	SPCC T:0.3	NICKRL PLATED	Cu80"100u" Ni100"120u"	1

GENERAL TOLERANCE		ALL LINK CONN. TECHNOLOGY CORP.			
	X°± 3°	TITLE: USB AF DIP 4P 90° 白膠			
.X± 0.35	X°± 1°				
.XX± 0.25	XX°±				
.XXX± 0.10	.XXX°±				
CUSTOMER DRAWING		PART NO. TUB-AF0431-1W	DWG NO. 20121118		
APPROVED Paul	CHECKED: Paul	DRAWN: sunny	UNIT: mm	SCALE: 1:1	SHEET: 1 / 1
			PROJ.	REV. B	