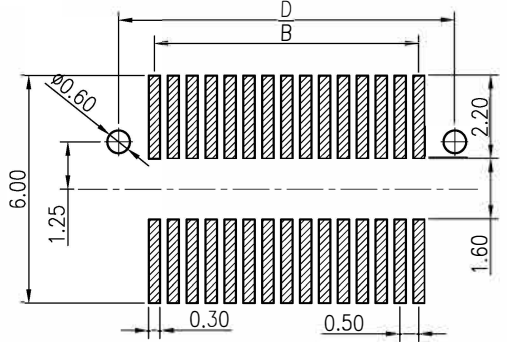
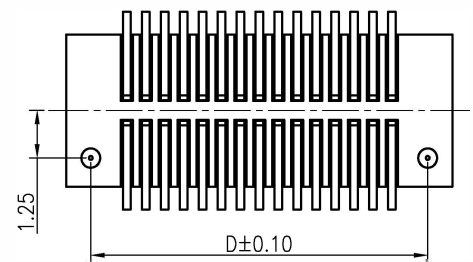


NOTES:

- 1.HUOSINGT:PA46 HIGH-TEMP THERMOPLASTIC UL94V-0 COLOR:WHITE
- 2.TERMINAL:PHOSPHOR BRONZE C5191  
PLATING:1μ" GOLD FLASH OVERALL 50~100μ" NICKEL UNDER PLATED.
- 3.CODING INFORMATION: BB151-Gxx-XOR

PACKING: E: TUBE  
R: CARRIER REEL  
MATING HEIGHT  
30---3.0 height  
35---3.5 height  
40---4.0 height  
45---4.5 height  
50---5.0 height  
55---5.5 height  
60---6.0 height  
PLATING: G:GOLD FLASH  
0.5 BOARD TO BOARD MALE WITH CUPULE TYPE  
MAXCONN BTB CONNECTOR SERIES

MATING HEIGHT	3.0	3.5	4.0	4.5	5.0	5.5	6.0	6.5
MALE H1	0.85	1.35	1.85	0.95	1.45	1.95	2.45	2.95
FEMALE H2	2.05		3.45					
MALE H2	2.20	2.70	3.20	2.85	3.35	3.85	4.35	4.85



RECOMMENDED PCB PATTERN DIM.  
TOLERANCE : ±0.05

No. of contacts	Dimensions				No. of contacts	Dimensions			
	A	B	C	D		A	B	C	D
2*4	4.7	1.5	2.1	3.4	2*17	11.2	8.0	8.9	9.9
2*5	5.2	2.0	2.9	3.9	2*18	11.7	8.5	9.4	10.4
2*6	5.7	2.5	3.4	4.4	2*19	12.2	9.0	9.9	10.9
2*7	6.2	3.0	3.9	4.9	2*20	12.7	9.5	10.4	11.4
2*8	6.7	3.5	4.4	5.4	2*21	13.2	10.0	10.9	11.9
2*9	7.2	4.0	4.9	5.9	2*22	13.7	10.5	11.4	12.4
2*10	7.7	4.5	5.4	6.4	2*23	14.2	11.0	11.9	12.9
2*11	8.2	5.0	5.9	6.9	2*24	14.7	11.5	12.4	13.4
2*12	8.7	5.5	6.4	7.4	2*25	15.2	12.0	12.9	13.9
2*13	9.2	6.0	6.9	7.9	2*26	15.7	12.5	13.4	14.4
2*14	9.7	6.5	7.4	8.4	2*27	16.2	13.0	13.9	14.9
2*15	10.2	7.0	7.9	8.9	2*28	16.7	13.5	14.4	15.4
2*16	10.7	7.5	8.4	9.4	2*29	17.2	14.0	14.9	15.9
2*17	11.2	8.0	8.9	9.9	2*30	17.7	14.5	15.4	16.4

CUSTOMER		ALL LINK CONN. TECHNOLOGY CORP.	
REV: B	SIZE: A4	GENERAL TOLERANCE UNLESS OTHERWISE SPECIFIED X.X ±0.25 X.XX ±0.15 X.XXX	PART NO: BB151-Gxx-xOR
UNIT: mm	SCALE: 5:1		TITLE: 0.5 BOARD TO BOARD SMT V/T TYPE MALE
SHEET NO:	1 OF 1	DRAWN BY: Kavin 2012-12-02	CHECKED BY: APPROVED BY:
△ 公母座对插口公差调整	Kavin 02.18.14'		
SER	REVISIONS	CHK	DATE